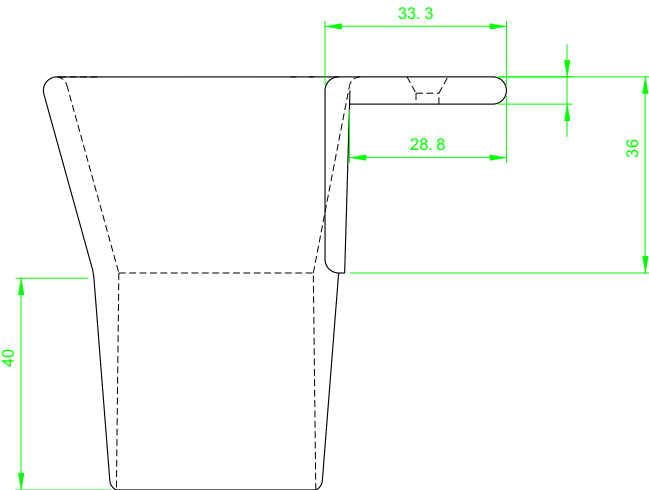
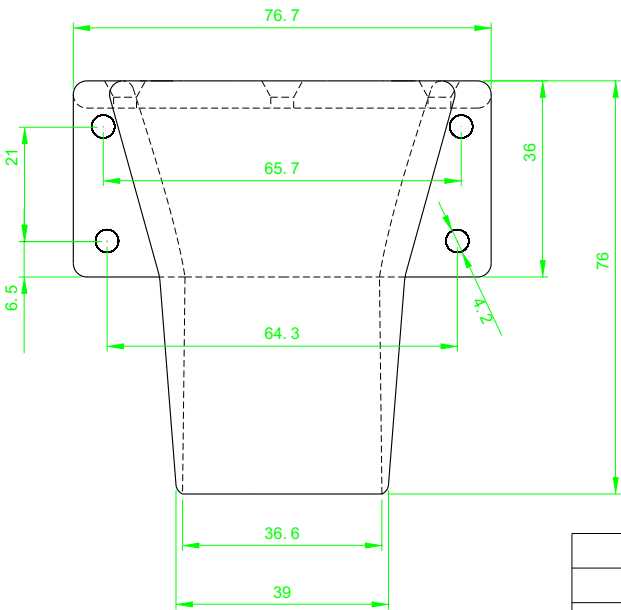
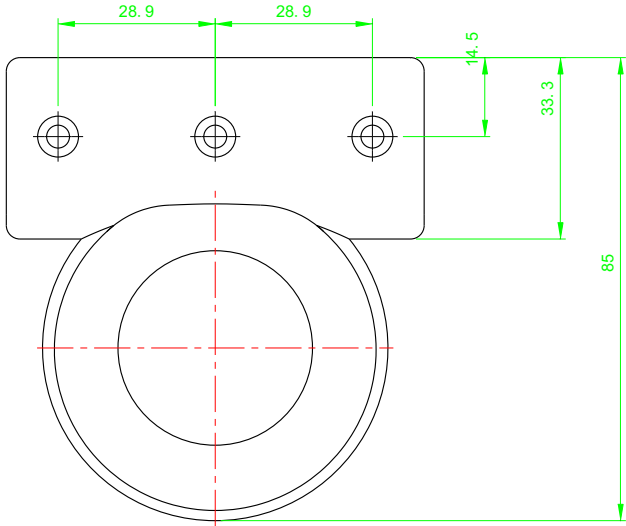


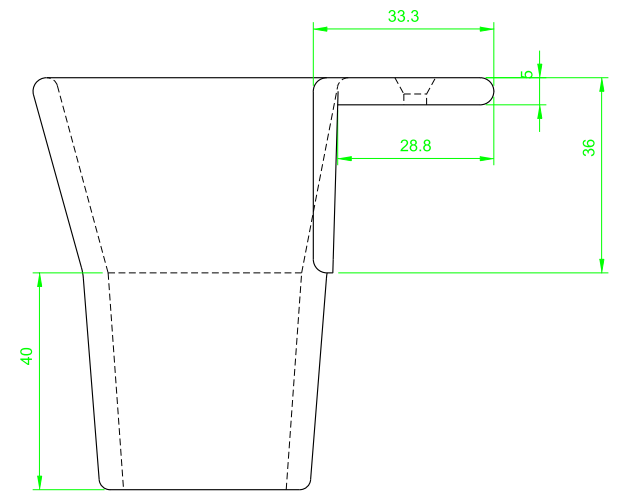
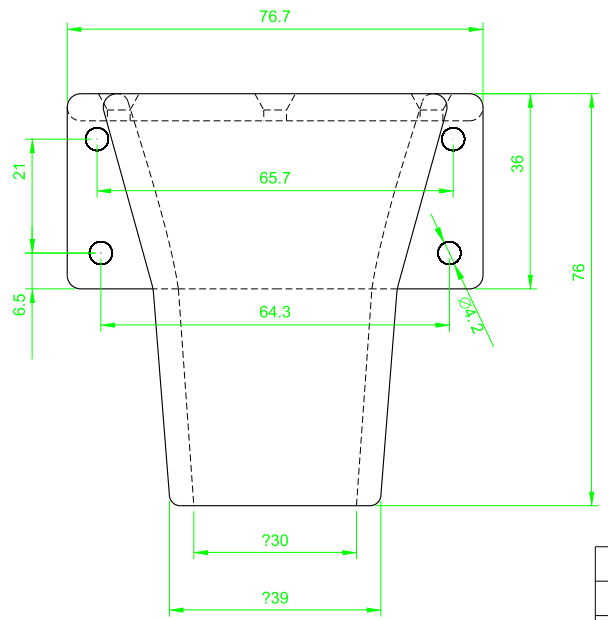
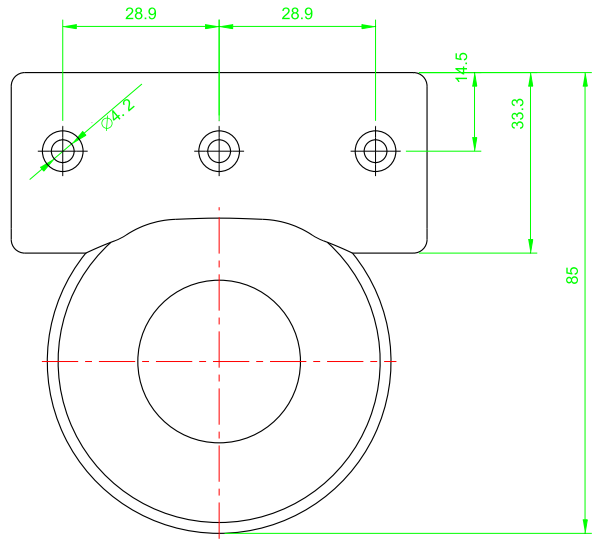
KH-1



PROPRIETARY AND CONFIDENTIAL
 THE INFORMATION CONTAINED IN THIS
 DRAWING IS THE SOLE PROPERTY OF
 <INSERT COMPANY NAME HERE>. ANY
 REPRODUCTION IN PART OR AS A WHOLE
 WITHOUT THE WRITTEN PERMISSION OF
 <INSERT COMPANY NAME HERE> IS
 PROHIBITED.

		UNLESS OTHERWISE SPECIFIED:		NAME	DATE			
		DIMENSIONS ARE IN INCHES		DRAWN		TITLE:		
		TOLERANCES:		CHECKED				
		FRACTIONAL ±		ENG APPR.				
		ANGULAR: MACH ± BEND ±		MFG APPR.				
		TWO PLACE DECIMAL ±		Q. A.				
		THREE PLACE DECIMAL ±		COMMENTS:		SIZE	DWG. NO.	REV
		INTERPRET GEOMETRIC TOLERANCING PER:				B	KH-1	
		MATERIAL				SCALE: 1:1	WEIGHT:	SHEET 1 OF 1
NEXT ASSY		USED ON		FINISH				
APPLICATION				DO NOT SCALE DRAWING				

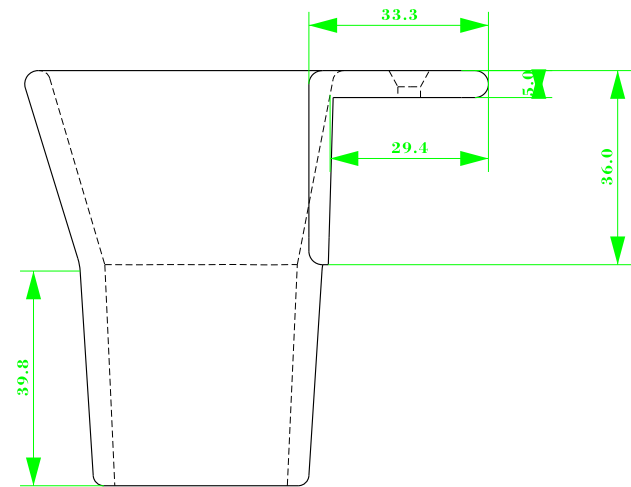
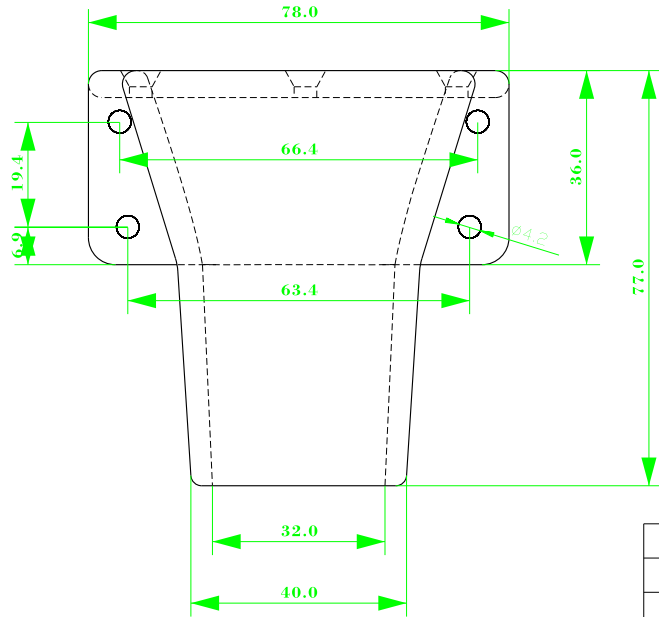
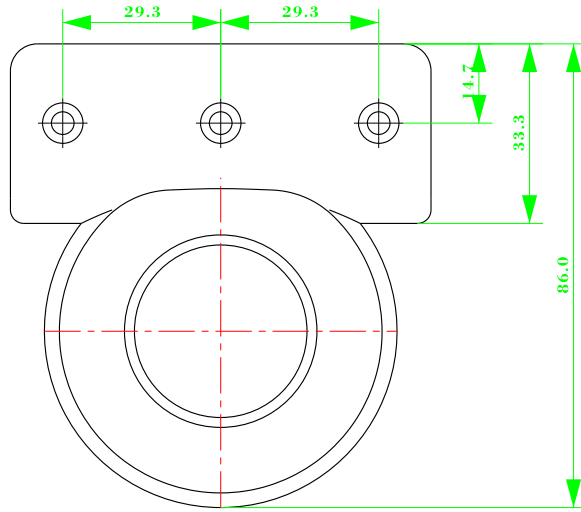
KH-2



PROPRIETARY AND CONFIDENTIAL
 THE INFORMATION CONTAINED IN THIS
 DRAWING IS THE SOLE PROPERTY OF
 <INSERT COMPANY NAME HERE>. ANY
 REPRODUCTION IN PART OR AS A WHOLE
 WITHOUT THE WRITTEN PERMISSION OF
 <INSERT COMPANY NAME HERE> IS
 PROHIBITED.

		UNLESS OTHERWISE SPECIFIED:		NAME	DATE		
		DIMENSIONS ARE IN INCHES	DRAWN			TITLE:	
		TOLERANCES:	CHECKED				
		FRACTIONAL ±	ENG APPR.				
		ANGULAR: MACH ± BEND ±	MFG APPR.				
		TWO PLACE DECIMAL ±					
		THREE PLACE DECIMAL ±					
		INTERPRET GEOMETRIC TOLERANCING PER:	Q.A.				
		MATERIAL	COMMENTS:				
		FINISH					SIZE B
NEXT ASSY	USED ON						DWG. NO. KH-2
APPLICATION		DO NOT SCALE DRAWING					REV
							SCALE: 1:1
							WEIGHT:
							SHEET 1 OF 1

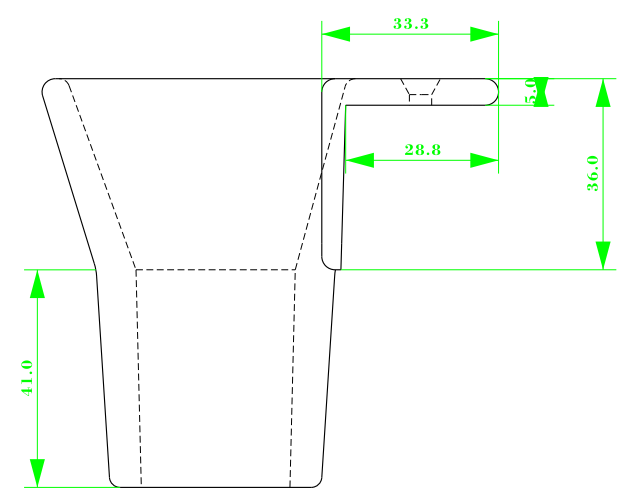
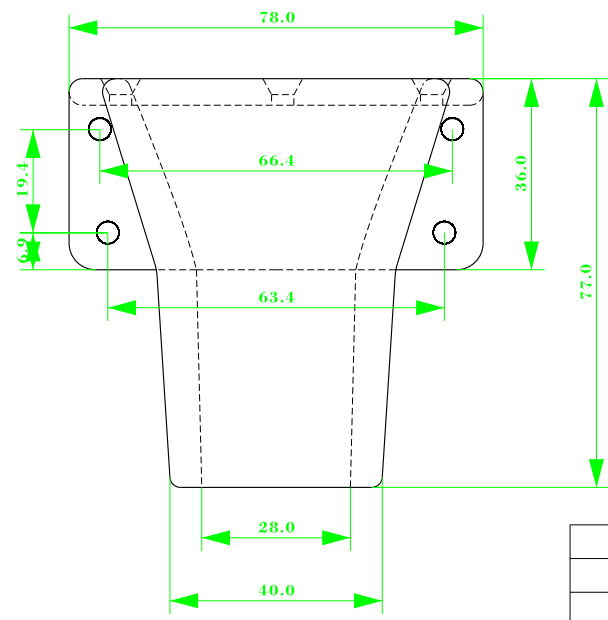
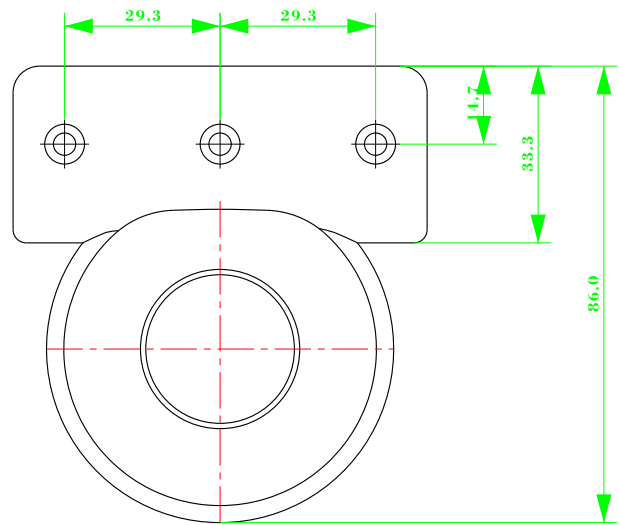
KH-3



PROPRIETARY AND
 THE CONFIDENTIAL
 DRAWING IS THE SOLE
 PROPERTY COMPANY NAME
 REPRODUCTION IN PART OR
 WHOLE WITHOUT THE WRITTEN
 PERMISSION OF COMPANY
 NAME IS
 FORBIDDEN

		UNLESS OTHERWISE SPECIFIED: DIMENSIONS ARE IN MILLIMETERS DECIMAL: ANGULAR: DIMENSION PLACE DECIMAL INTERPRET DIMENSIONING MATERIAL FINISH	DRAWN CHECKED ENGR. APPR. APPR.					TITLE:
NEXT ASSY	USED ON	DO NOT SCALE DRAWING	COMMENTS:					B DWG. NO.
APPLI CA TION								SCALE: WEIG HT: SHEET 1 OF 1

KH-5



PROPRIETARY AND
CONFIDENTIAL
DRAWING IS THE SOLE
PROPERTY OF COMPANY NAME
REPRODUCTION IN PART OR
WHOLE WITHOUT WRITTEN
PERMISSION IS STRICTLY
FORBIDDEN

		UNLESS OTHERWISE SPECIFIED DIMENSIONS ARE IN MILLIMETERS FRACTIONAL ANGULAR: ROUNDOFF PLACE BEND ROUNDOFF PLACE DECIMAL			DRAWN				TITLE:		
		INTERPRET			CHECK				DWG. NO.		
		DRAWING			ENG				SCALE:		
		MATERIAL			MFG				WEIG		
		FINISH			APPR				SHEET 1		
NEXT ASSY		USED ON		DO NOT SCALE DRAWING		COMMENTS:		11		1 OF 1	